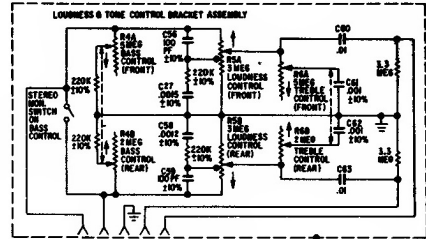


VIA, V1B
FOR FM TUNER CIRCUIT (S-6107)
REFER TO SCHEMATIC



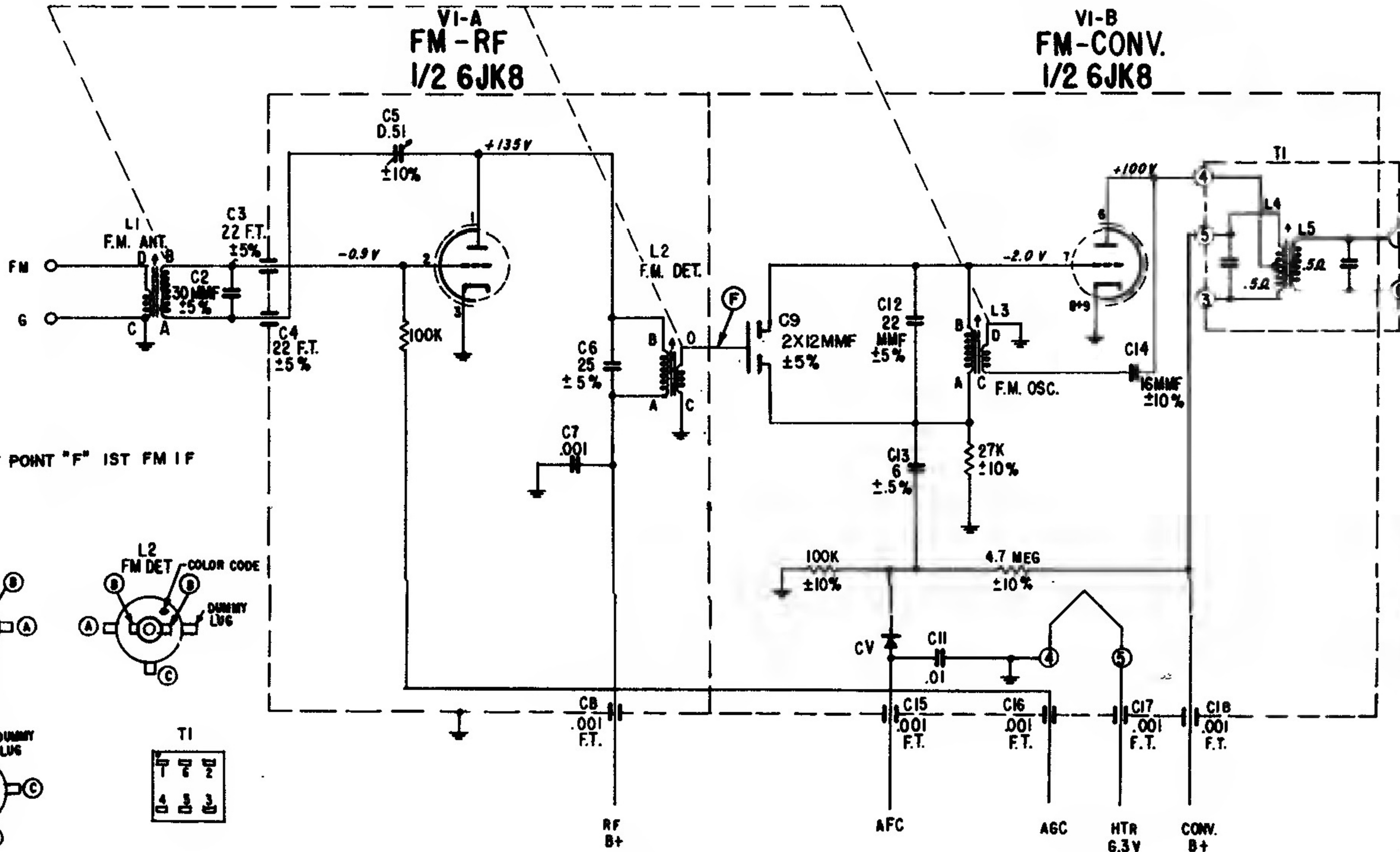
- TEST POINTS:**
- A - FM DETECTOR OUTPUT
 - K - FM I.F. OUTPUT
 - C - 2ND AM-IF INPUT
 - D - 1ST AM-IF INPUT
 - E - AM CONVERTER - INPUT
 - F - FM CONVERTER - INPUT
 - G - AM DOUBLE - OUTPUT
 - H - 0.1 OHM 100
 - I - AM PHONO
 - J - AM PHONO
- ALIGNMENT POINTS:** (A)
- CLIPPER LETTERS INDICATE ALIGNMENT AND TEST POINTS.

- NOTES:**
- SWITCHES 3PDT WITH ALL BUTTONS UP.
 - ARROWS ON COMPONENTS INDICATE CLOCKWISE ROTATION.
 - ALL WELDED CONNECTIONS FROM CONTROLS TO POINTS INDICATED WITH A, F, J, K.
 - ALL MULTIPLES 2-C. UNLESS OTHERWISE SPECIFIED.
 - R.M. - I.F. 455 KC
 - F.M. - I.F. 16.7 MC
 - TUNING RANGES: 540 - 1600 KC STD. BC
 - 80 - 100 MC F.M.
 - ALL RESISTORS ARE 200K TOLERANCE, 1/2 WATT, CARBON UNLESS OTHERWISE SPECIFIED.
 - ALL CAPACITORS UNLESS OTHERWISE SPECIFIED.
 - ALL CAPACITOR CAPACITY TOLERANCES 20% UNLESS OTHERWISE SPECIFIED.
 - SCHEMATIC SYMBOLS
 - WITH SEENED TUBING, UNLT.
 - ALL CABLE PLUGS AND SOCKETS AS SHOWN ARE LEAD END VIEW (REAR) VIEW.

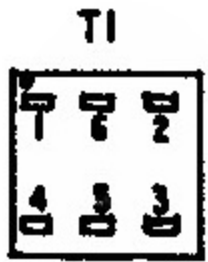
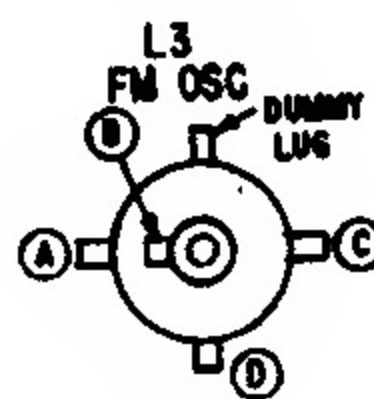
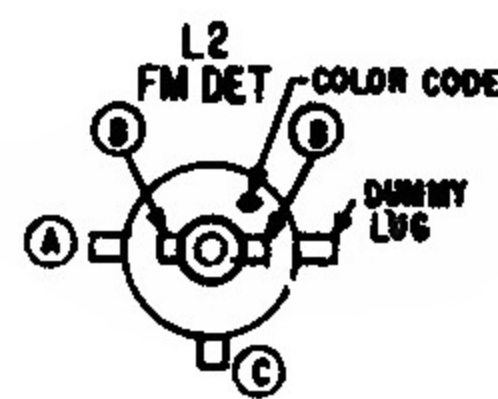
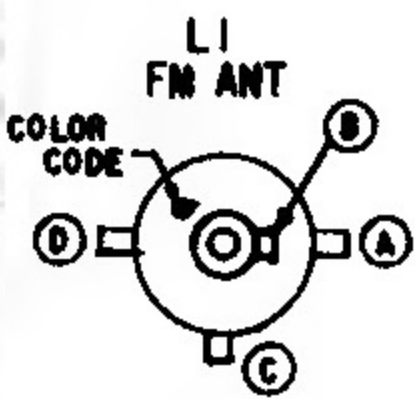
ZENITH Chassis 10L23

ZENITH 10L23 SCHEMATIC FOR MODELS ML2785-3 AND ML2786-3

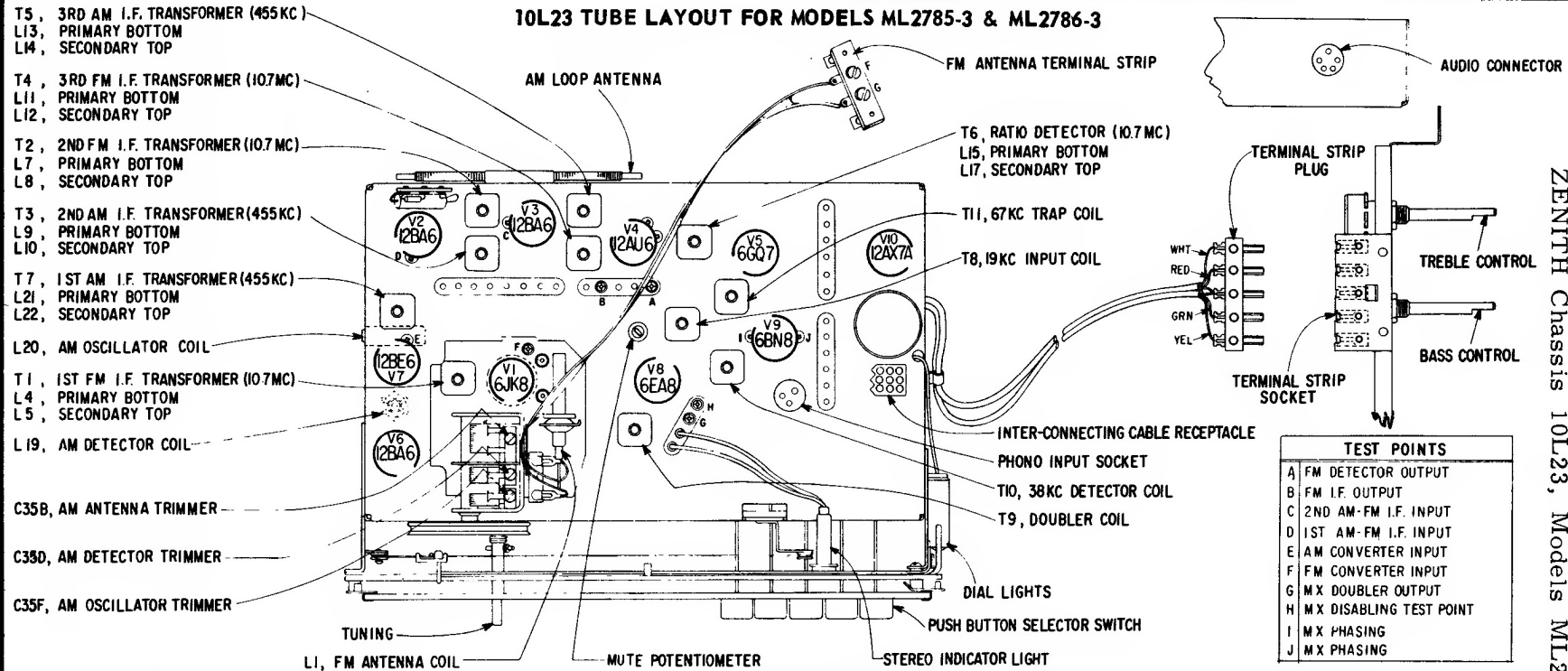
S-61017 AND S-61363 SCHEMATIC FOR FM TUNER USED ON CHASSIS 9L20 AND 11L8T25.



TEST POINT "F" 1ST FM IF



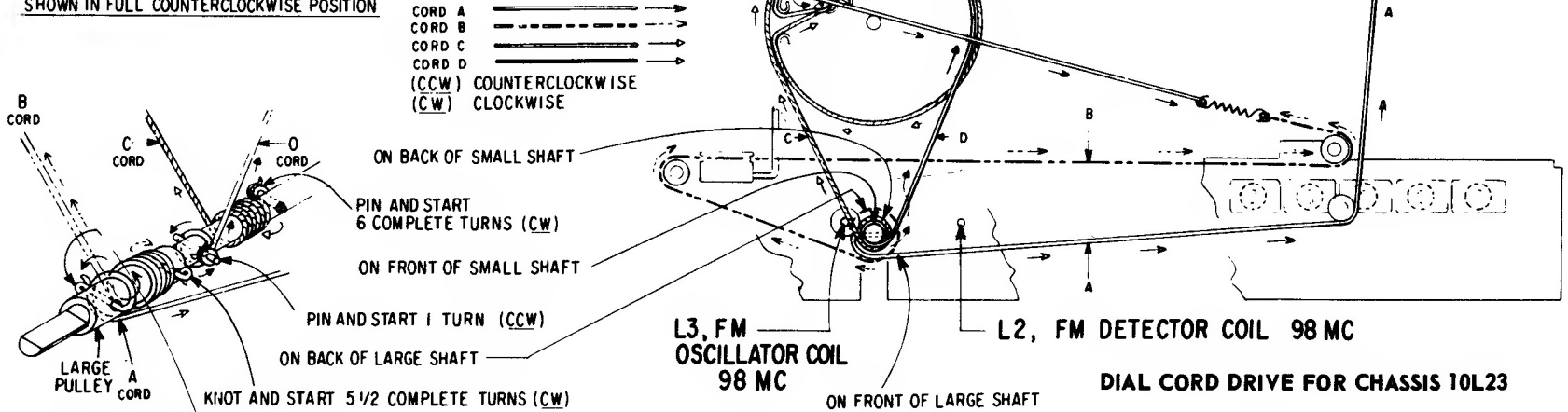
10L23 TUBE LAYOUT FOR MODELS ML2785-3 & ML2786-3



TEST POINTS	
A	FM DETECTOR OUTPUT
B	FM I.F. OUTPUT
C	2ND AM-FM I.F. INPUT
D	1ST AM-FM I.F. INPUT
E	AM CONVERTER INPUT
F	FM CONVERTER INPUT
G	M X DOUBLER OUTPUT
H	M X DISABLING TEST POINT
I	M X PHASING
J	M X PHASING

DIAL CORD DRIVE

SHOWN IN FULL COUNTERCLOCKWISE POSITION



ZENITH Chassis 10L23, Models ML2785-3 and ML2786-3

KNOT AND START 1 TURN (CCW)